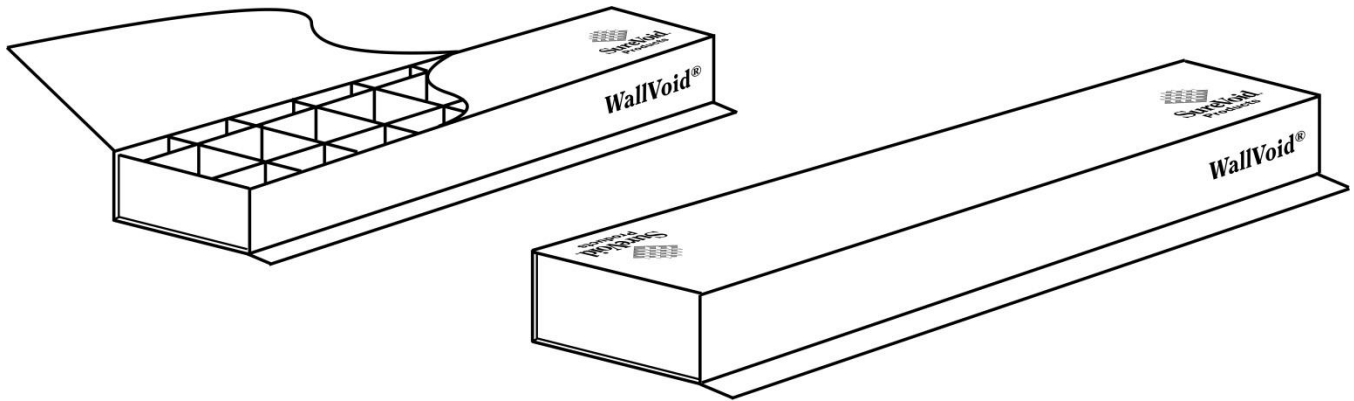
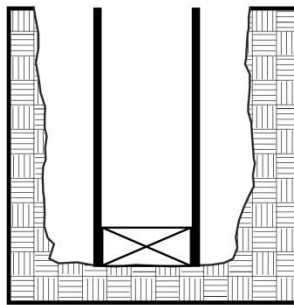


WallVoid®



Panel-Formed



(soil retainer not shown for clarity)

NOTES:

1. Function: Properly creates void space directly under panel-formed, concrete walls
2. Description: Rectangular carton void form having a panel flange along the bottom edge with vertically-supported, sealed ends that prevent liquid concrete from flowing into the interior - available as a pre-manufactured form, secured with glue (with or without staples), or available in a knockdown form
3. Composition:
 - a. Exterior: Corrugated paper with a moisture-resistant outer surface
 - b. Interior: Corrugated paper configured in a uniform, cellular network
4. Strength: Capable of sustaining specified vertical loads until they become self-supporting, while maintaining void depth as indicated on the drawings or as recommended by the manufacturer
5. Accessories: Used in conjunction with permanent soil retainers that prevent soil from entering into the specified void space after the structural degradation of the carton void form
6. Installation: Install in accordance with the manufacturer's recommendations. Protect carton void forms from moisture and damage prior to concrete placement.
7. Acceptable Product / Manufacturer: WallVoid® as manufactured by VoidForm Products, Inc. 888-704-VOID (8643)

