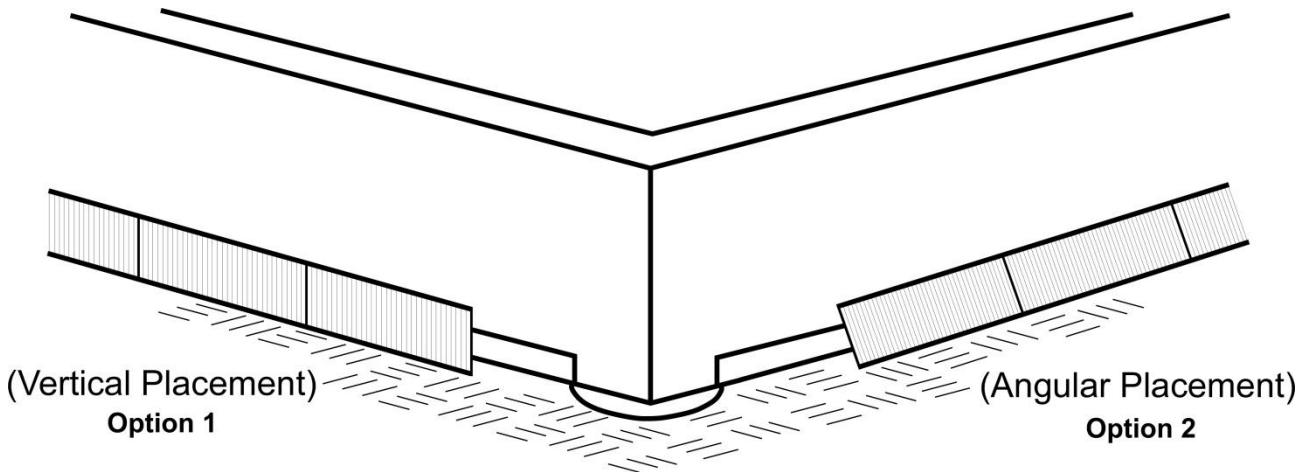


# BackFill Retainer™

BackFill Retainer™ prevents backfill soil from displacing void space that has been formed under grade beams and slab edges. It is made of strong, rigid, white copolymer polypropylene plastic (CPPP), which is impervious to soil and water. Its thin, lightweight design allows for easy handling and storage savings. It is proven to outperform precast blocks, cement backer boards, fiberboard, or lumber. The product can be placed vertically, flush against the concrete face, extending above and below the void form, or it can be placed against the concrete at an angle with the bottom edge inside a small groove.



## Product Description:

- Made of copolymer polypropylene (CPPP)
- White in color for ultra-violet resistance
- Made with cellular interior for rigidity
- An economical alternative

## Benefits:

- Lightweight
- Easy to install
- Will not warp in the sun
- Impervious to moisture
- Outperforms conventional products

## Recommended Sizes:

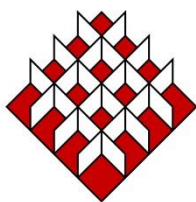
1/2" (13mm)

3/8" (10mm)

20" x 96" up to 10" space  
24" x 96" up to 12" space  
30" x 96" up to 16" space  
36" x 96" up to 20" space  
42" x 96" up to 24" space  
48" x 96" up to 28" space

12" x 96" up to 4" space (option 1)  
14" x 96" up to 4" space (option 2)  
16" x 96" up to 6" space  
18" x 96" up to 8" space  
20" x 96" \*\* Available \*\*  
24" x 96" \*\* Available \*\*

(Additional Sizes Available Upon Request)



**SureVoid**  
Products, Inc.

ENGLEWOOD, CO • (800) 458-5444  
FORT WORTH, TX • (888) 803-8643  
HOUSTON, TEXAS • (866) 441-0315

© 2016 VoidForm Products, Inc.