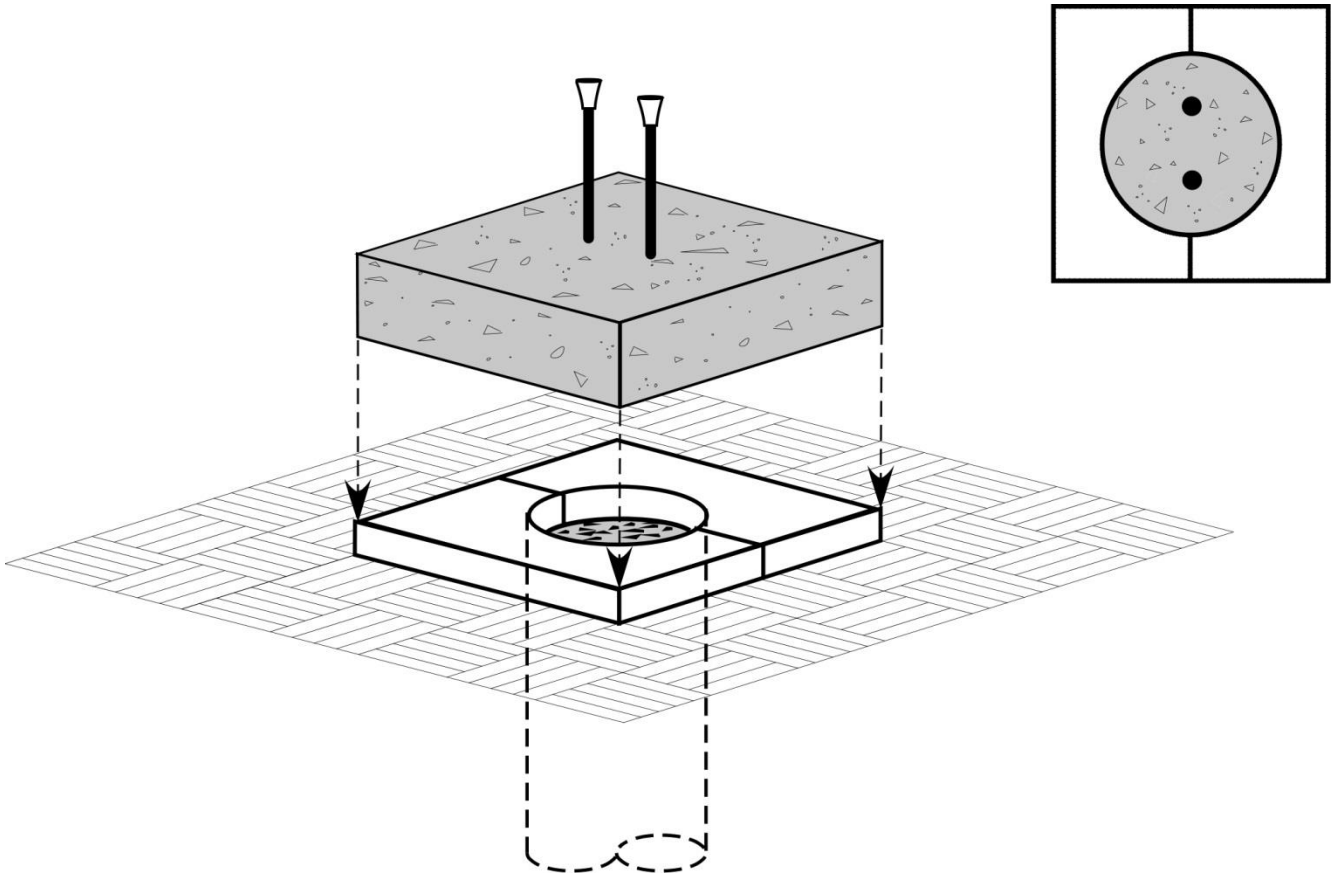


# SureRound PierVoid®



## NOTES:

1. Function: Properly creates void space around the upper portion of the drilled pier at its intersection with the slab or under a pier cap
2. Description: Rectangular, pre-manufactured, non-field-cut, sealed carton void form, secured with glue (with or without staples), having a curved, radial, vertically-supported edge adjacent to the drilled pier that conforms to the pier diameter
3. Composition:
  - a. Exterior: Corrugated paper with a moisture-resistant outer surface
  - b. Interior: Corrugated paper arranged in a uniform, cellular configuration
4. Strength: Capable of sustaining specified vertical loads until they become self-supporting, while maintaining full void depth as indicated on the drawings, or as recommended by the manufacturer
5. Accessories: Used in conjunction with a protective cover sheet over the entire top surface to prevent damage to the carton void form, distribute working loads, span small gaps, and provide a suitable surface for foot traffic during carton void form placement
6. Installation: Install in accordance with the manufacturer's recommendations. Protect the carton void forms from moisture and damage prior to concrete placement.
7. Acceptable Product / Manufacturer: SureRound PierVoid® as manufactured by VoidForm Products, Inc. 888-803-VOID (8643)

