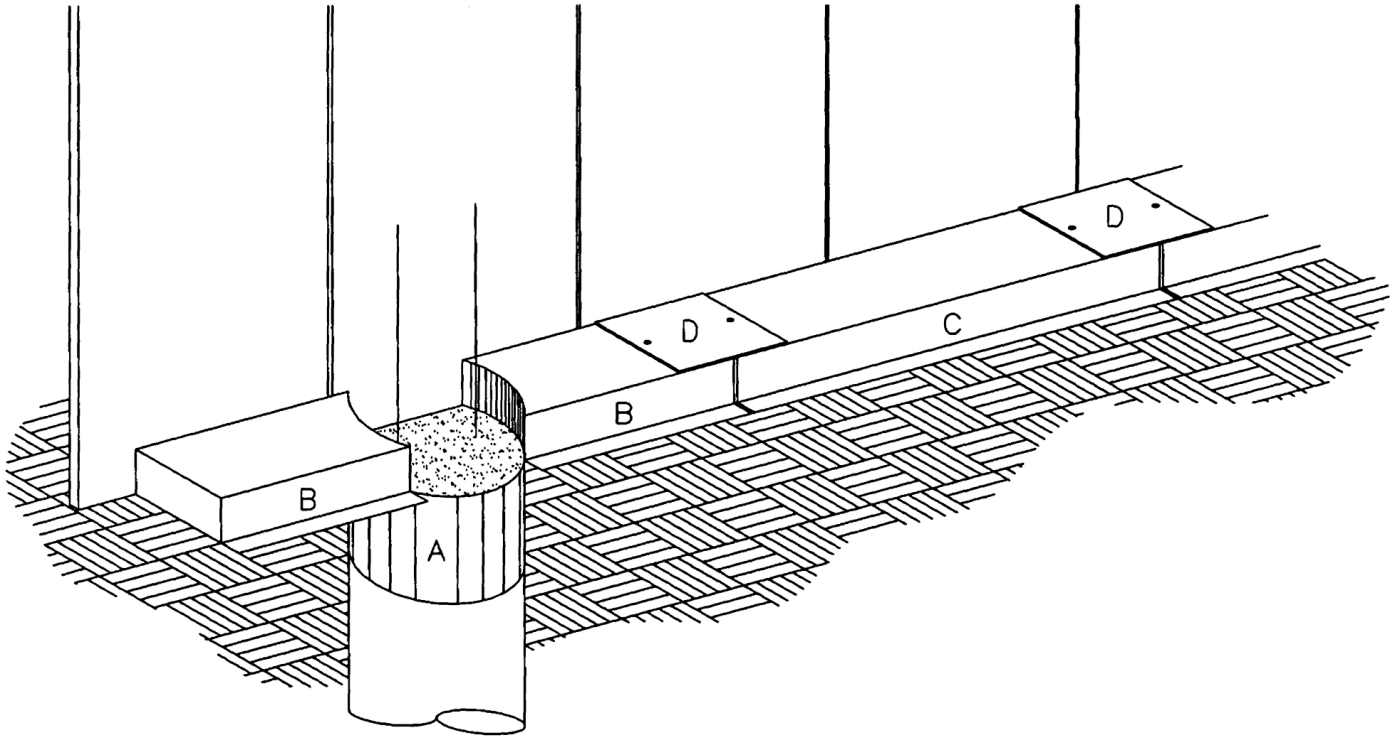
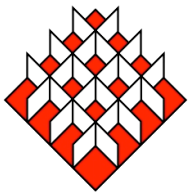


The WallVoid[®] System



NOTES:

1. Function: Correctly isolates structural concrete walls from expansive soils.
2. Components:
 - A. Drilled Pier Top Form – Cylindrical, corrugated paper or plastic form that properly forms and contains the upper portion of concrete piers.
 - B. Pier Void Form – Pre-manufactured, non-field cut, sealed unit with curved, radial, vertical edge adjacent to drilled pier to conform to pier diameter.
 - C. Wall Void Form – A uniform cellular interior configuration, capable of sustaining all vertical loads until they become self-supporting, while maintaining full void depth as indicated on drawings.
 - D. Seam Pads – Covers void form joints to prevent moisture and concrete from flowing in between and into the wall void interior.
3. Void Form Composition: Corrugated paper with a moisture resistant exterior.
4. Sizes: As indicated on drawings.
5. Strength: Capable of sustaining a working load of (_____) p.s.f. or as recommended by the manufacturer.
6. Installation: Install in accordance with manufacturer's recommendations. Protect from moisture and damage prior to concrete placement.
7. Acceptable products / manufacturer: SureTops[®], ArcVoid[®], WallVoid[®], and Seam Pads[®] as manufactured by SureVoid Products, Inc., Englewood, CO (800) 458-5444 or Fort Worth, TX (888) 803-VOID



SureVoid[®]
Products, Inc.

COLORADO • (800) 458-5444
TEXAS • (888) 803-VOID

© Copyrighted 1998 SureVoid Products, Inc.