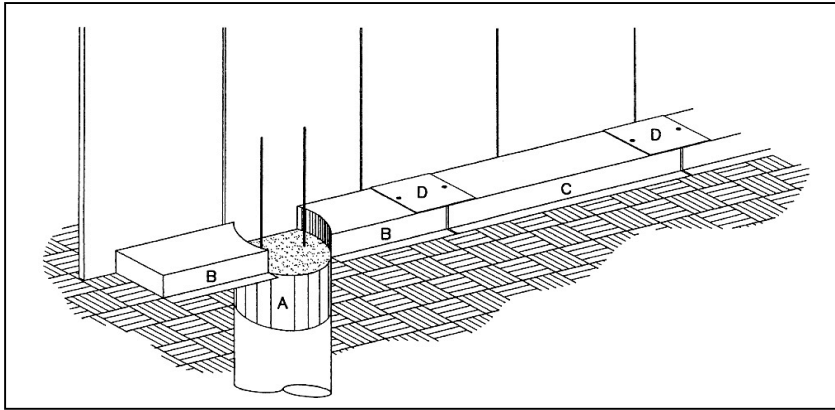


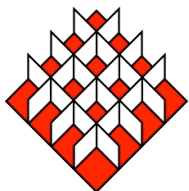
WallVoid® Installation Instructions



- A. SureTop™
- B. ArcVoid®
- C. WallVoid®
- D. Seam Pads

These are general instructions for use with the WallVoid System. Always follow the structural drawings and details. Moisture destroys the strength of void forms to ensure the void space, and all forms must be kept dry until the concrete is placed. See the attachment “Selection and Care of SureVoid Products” for additional information and suggestions. Best results will be obtained by installing the products according to the following procedure:

1. Void forms have great strength to support vertically imposed loads but cannot bridge uneven areas. Grade the area where the void forms are to be used to an even plane. Remove rocks and other obstructions that may puncture the form or cause point loading. Working a 2x4 across the area will usually suffice.
2. As required, place SureRound PierVoid® at pier caps or pilasters and ArcVoid at the piers, butted tightly against each pier if it is poured above grade or at the pier perimeter if at grade. If ArcVoid is not being used, place the uncut end of a form with an End Cap installed at the pier per the structural drawings. Place ends barely on the pier so as not to severely reduce the contact surface between beam and pier or to allow an unintentional pier cap to be formed.
3. Tightly fit full modular forms between ArcVoid pieces, pier caps, or piers as space allows. Cover the seams between forms with Seam Pads, and attach them to the forms by taping in place or by pushing a small nail through the pad into the void form. (Taping the seams with a waterproof tape is an alternative to using Seam Pads.) Crosscut forms to fit into any area too small to place full-size pieces. Be sure to place an uncut end with an End Cap against any concrete exposure. Finish covering the seams.
4. If steel is to be set on the void forms, a cover sheet should be placed at each contact point to prevent punctures from point loading.
5. Pour concrete along the top of the void forms to hold them in place before pouring at void form ends. This will prevent floating.
6. Take care not to puncture the form with the vibrator stinger when vibrating.
7. Where bags or other methods of waterproofing are used, slice the bag or otherwise destroy the seal after the concrete sets to assure the ability of moisture to penetrate the form and destroy the strength.
8. Protect the formed void space with a retainer prior to back-filling.



SureVoid®
Products, Inc.

COLORADO • (800) 458-5444
TEXAS • (888) 803-VOID

© 2001 SureVoid Products, Inc.