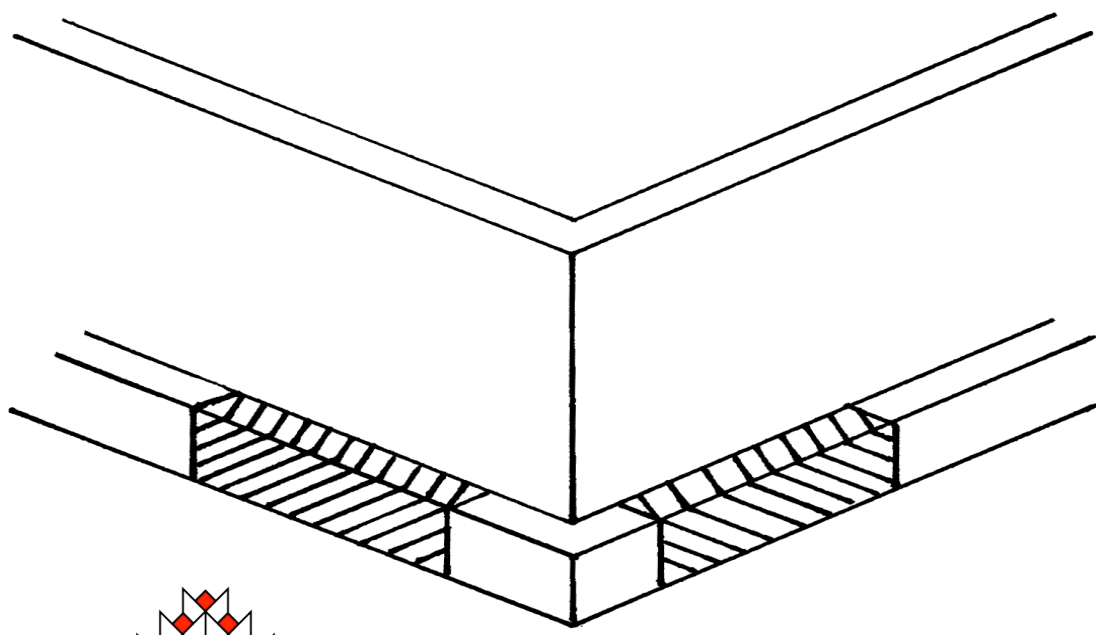
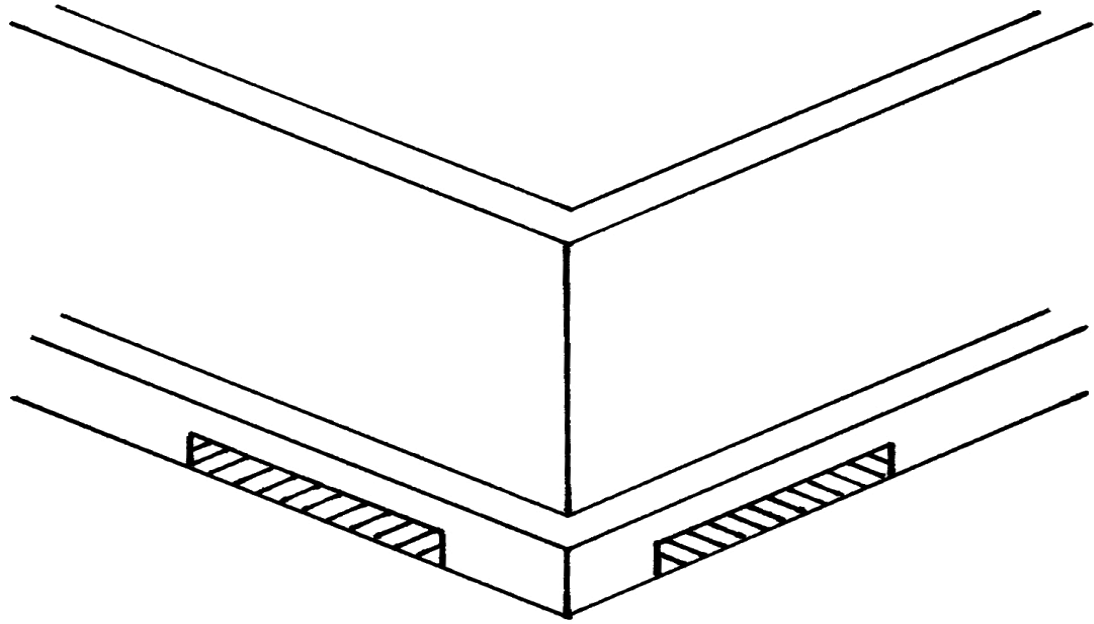
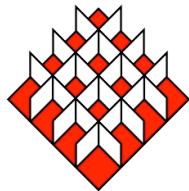


Void Placement Options for Intermittent Footings

FootingVoid™
Concrete over void material provides an even, level surface on which forming system is placed and ensures a required void depth.



FormVoid™
Designed to support the formwork, it provides a surface on which to form the wall while displacing concrete volume.



SureVoid®
Products, Inc.

COLORADO • (800) 458-5444
TEXAS • (888) 803-VOID

© 2002 SureVoid Products, Inc.