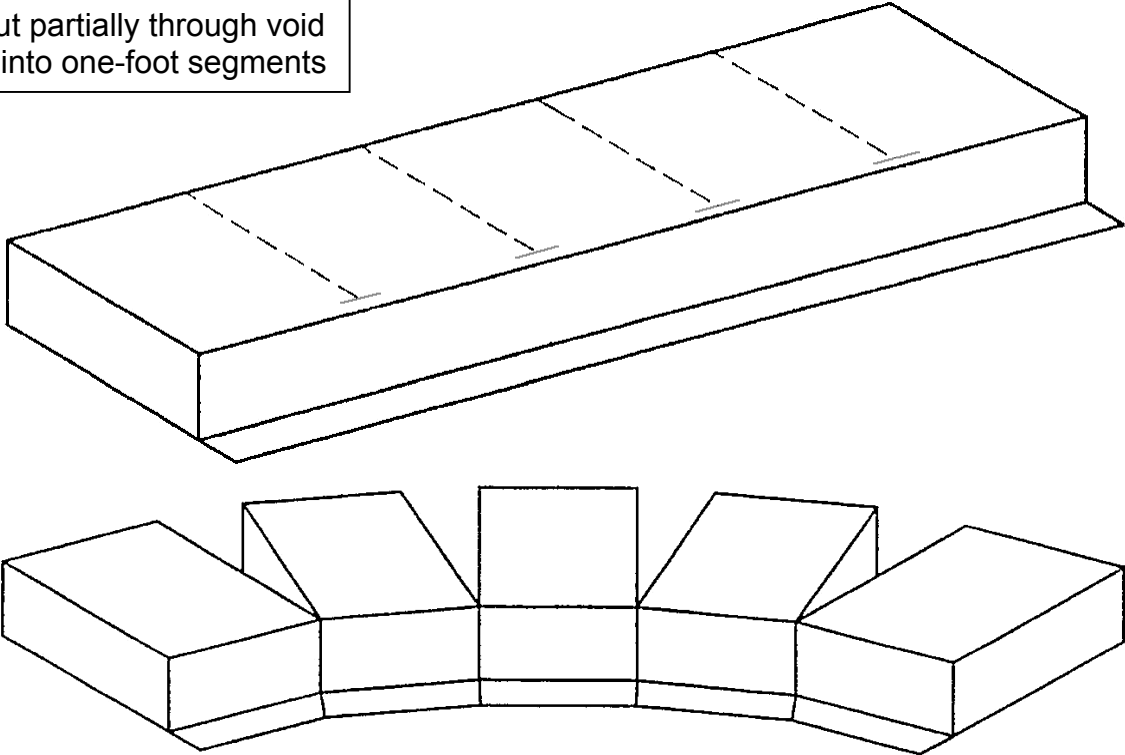
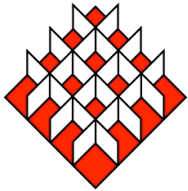
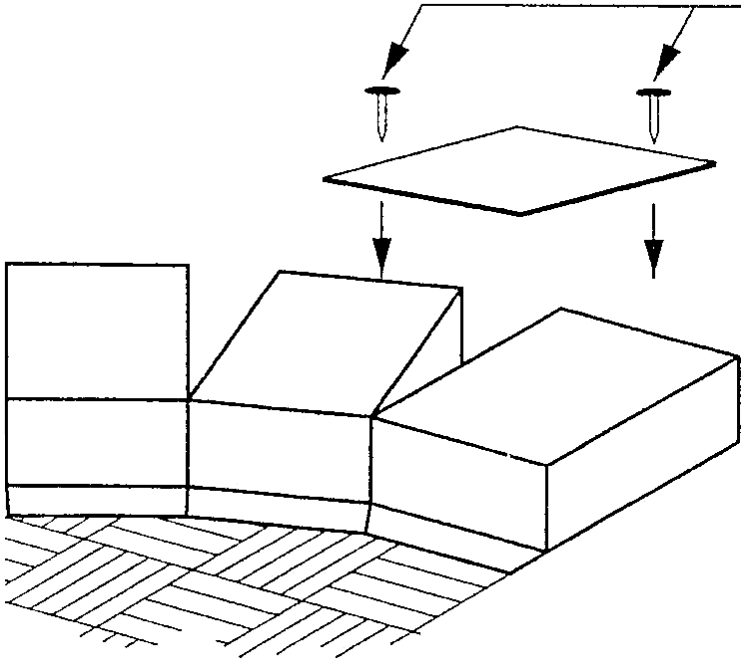


# RadiusVoid™

Pre-cut partially through void piece into one-foot segments



Seam pads (Held in place with small nails or waterproof tape) prevents concrete from flowing into small gaps. Hardboard can also be cut to fit into continuous arc.



**SureVoid**  
Products, Inc.

COLORADO • (800) 458-5444  
TEXAS • (888) 803-VOID

© Copyrighted 2002 SureVoid Products, Inc.